

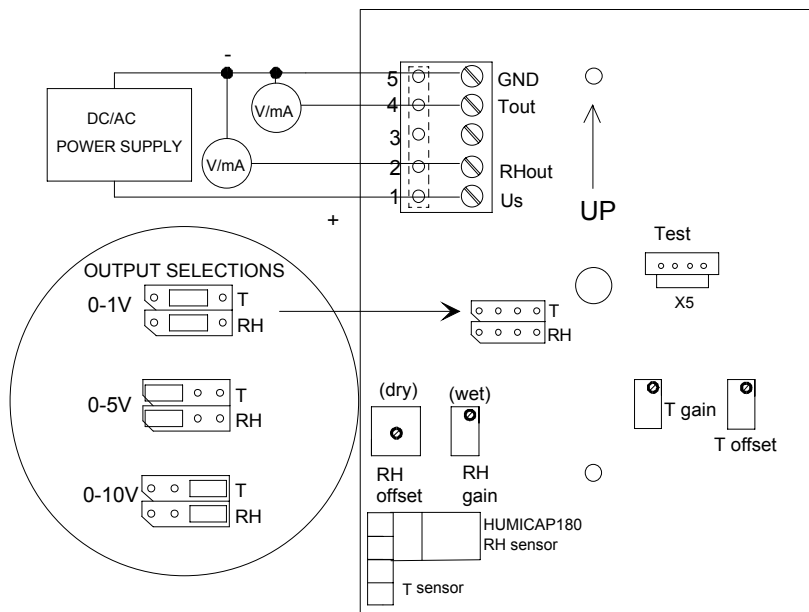
Vaisala HMW70U/Y humidity transmitter

Output quantities: Relative humidity (%), temperature (°C/°F) in model HMW70Y
Supply voltage range depends on the selected output signal. When an AC supply is used, an isolated source is recommended.

Output signal	DC	AC
0...1 V	10...35 V	9...24 V
0...5 V	14...35 V	12...24 V
0...10 V	19...35 V	16...24 V

Output signals: 0...1V/ 0...5 V/ 0...10 V
Humidity range: 0...95 % RH
Temperature range: -5...+55 °C
Screw terminals: 0.5...1.5 mm²

Wiring diagram



Electrical connections and calibration potentiometers.
 Signal cables are connected to a removeable 5-pole screw connector.