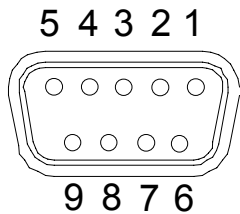


Vaisala PTB220 series digital barometers

Output quantities:	Pressure (Pa / bar / Hg / torr / mmH ₂ O / psia), relative humidity (%), temperature (°C/°F)
Supply voltage:	10...35 VDC, reverse polarity protected
Serial I/O:	Full duplex RS 232C (factory setting) or bidirectional TTL level or RS 485/422 half duplex (optional)
Analog outputs (optional):	4...20mA / 0...5 V
Operating pressure range:	500...1100 hPa or 50...1100 hPa
Operating humidity range:	Non-condensing
Operating temperature range:	-40...+60°C

Wiring diagram



9-pin female subD-connector

Pin assignment for RS 232C/TTL serial/pulse output:

PIN	SIGNAL
1	TX with diode
2	TX/TXD/TXD inverted
3	RX/RXD/RXD inverted
4	external power on/off control
5	ground for the RS 232C
6	pulse output (TTL level)
7	ground for supply voltage and TTL level serial interface and pulse output
8	pulse trigger
9	supply voltage (10...30 VDC)

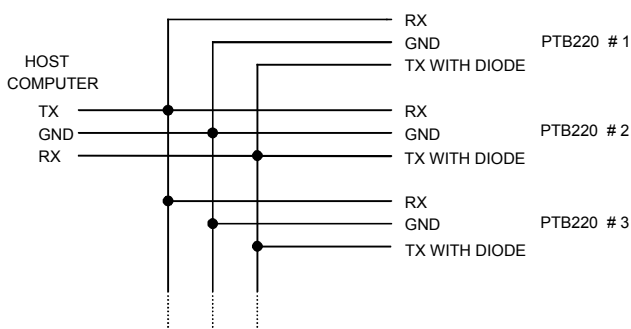
Pin assignment for RS 232C/485/422:

PIN	SIGNAL
1	TX with diode
2	TX/TXD/TXD inverted
3	RX/RXD/RXD inverted
4	external power on/off control
5	ground for the RS 232C
6	RS 485/422 LO
7	ground for supply voltage and TTL level serial interface
8	RS 485/422 HI
9	supply voltage (10...30 VDC)

In barometers with RS232/analog output, the pin assignment is:

PIN	SIGNAL
1	TX with diode
2	TX/TXD/TXD inverted
3	RX/RXD/RXD inverted
4	external power on/off control
5	ground for the RS 232C
6	voltage output (0...5 VDC) / current output (4...20 mA)
7	ground for supply voltage
8	voltage output ground / current output ground
9	supply voltage (10...30 VDC)

Multiple PTB220 barometers on one RS 232C interface



PTB220 series barometer connected to a two-wire half duplex RS 485/422 interface

